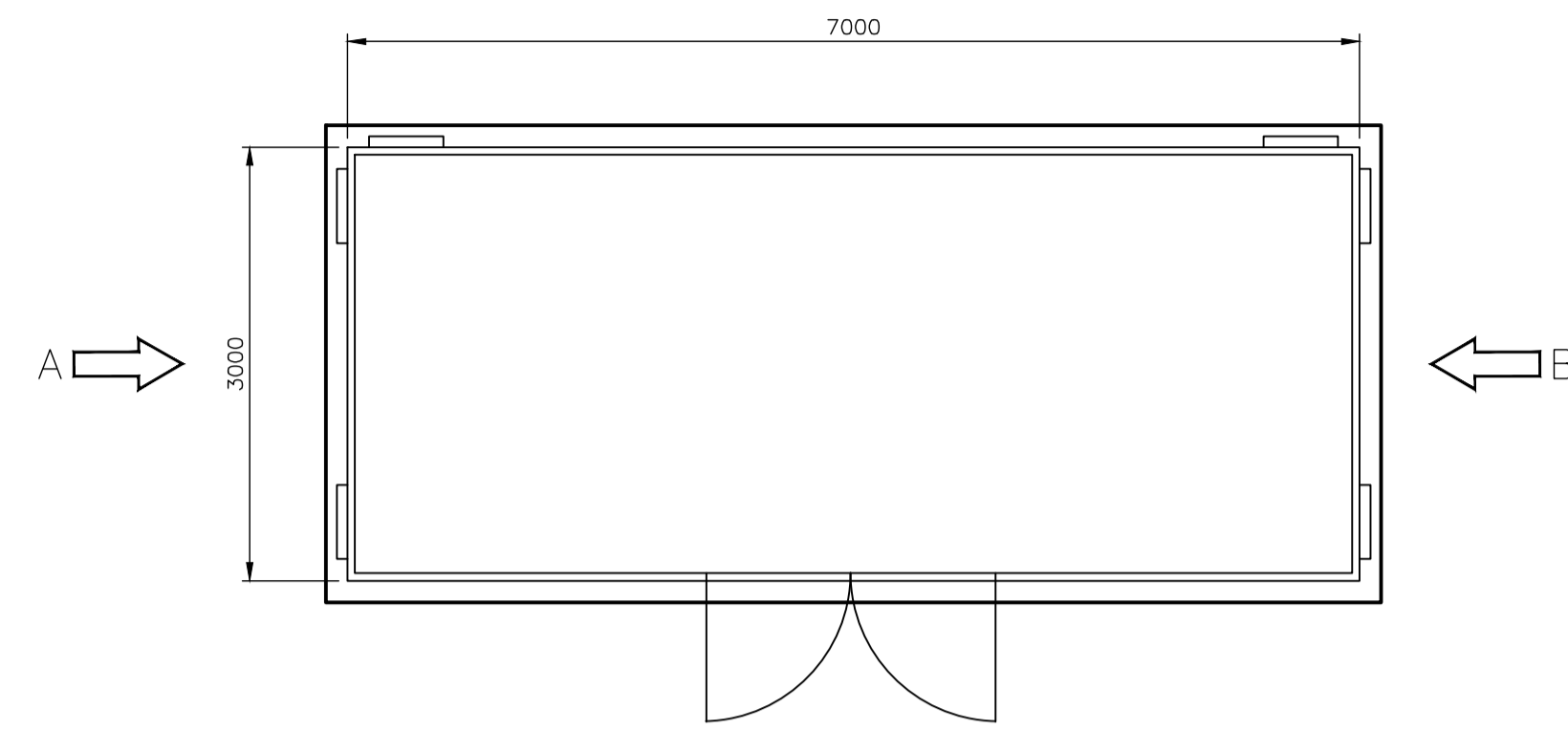


GENERAL NOTES

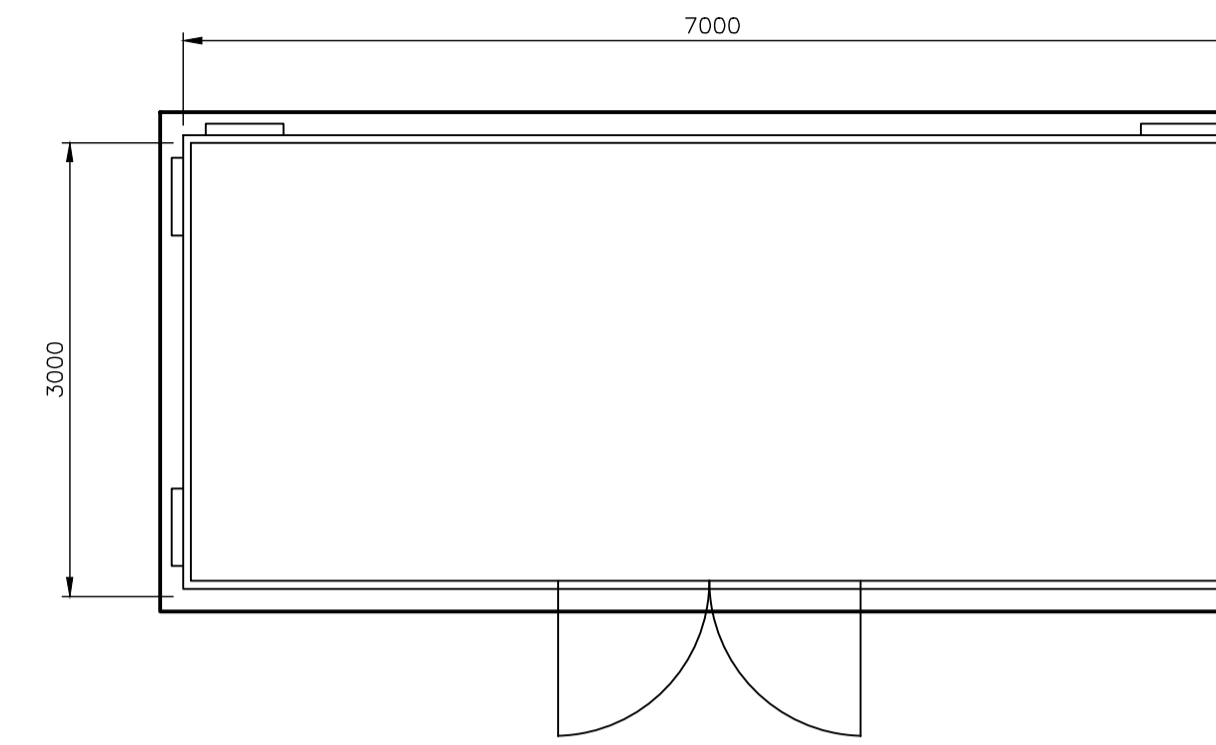
1. ALL DIMENSIONS IN MILLIMETRES UNLESS NOTED OTHERWISE.
2. ALL LEVELS IN METRES RELATIVE TO ORDNANCE DATUM NEWLYN.
3. GLASS REINFORCED PLASTIC KIOSK COLOUR BS 14C39 HOLLY GREEN.

REFERENCE DRAWING

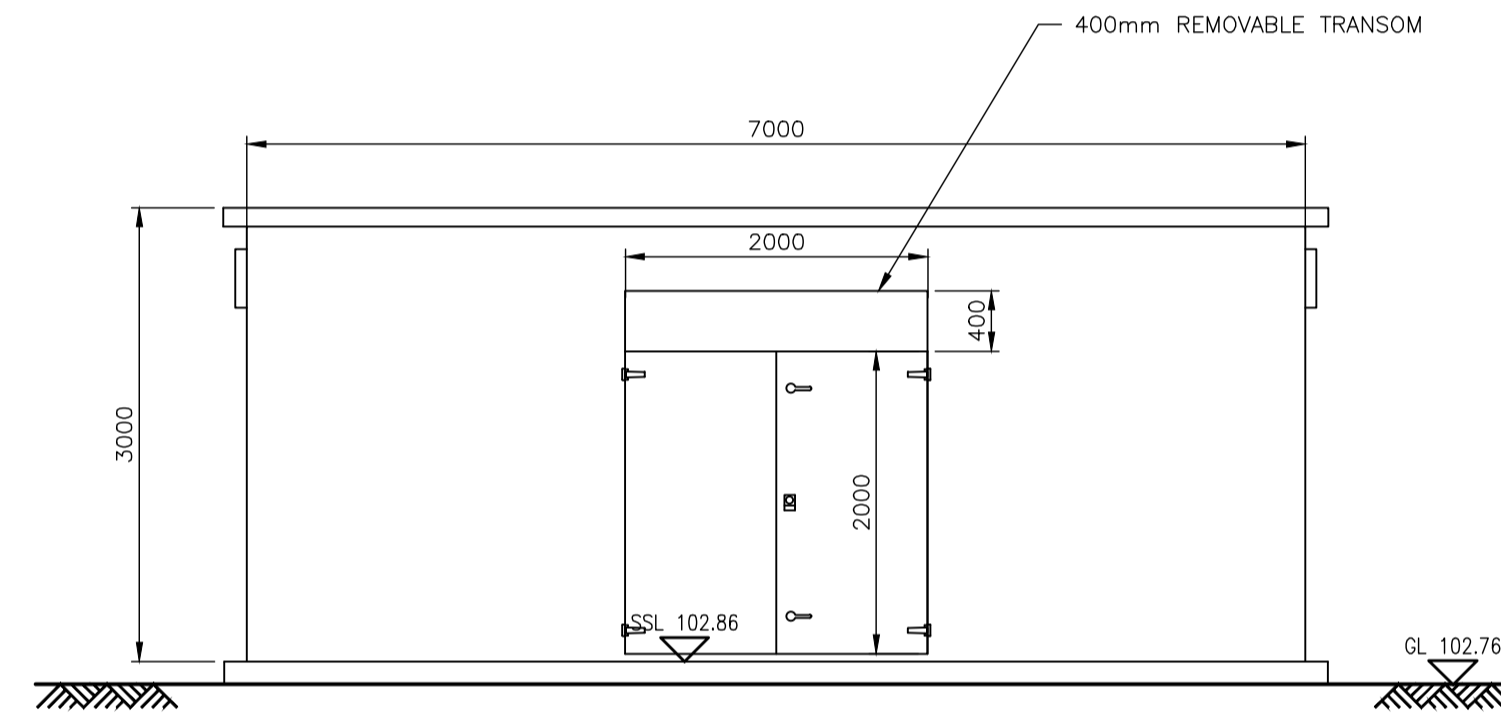
SEW-10570-LBUCST-SS-PLG-0001 PLANNING DRAWING SITE LAYOUT  
 SEW-10570-LBUCST-SS-PLG-0002 PLANNING DRAWING SITE LOCATION PLAN



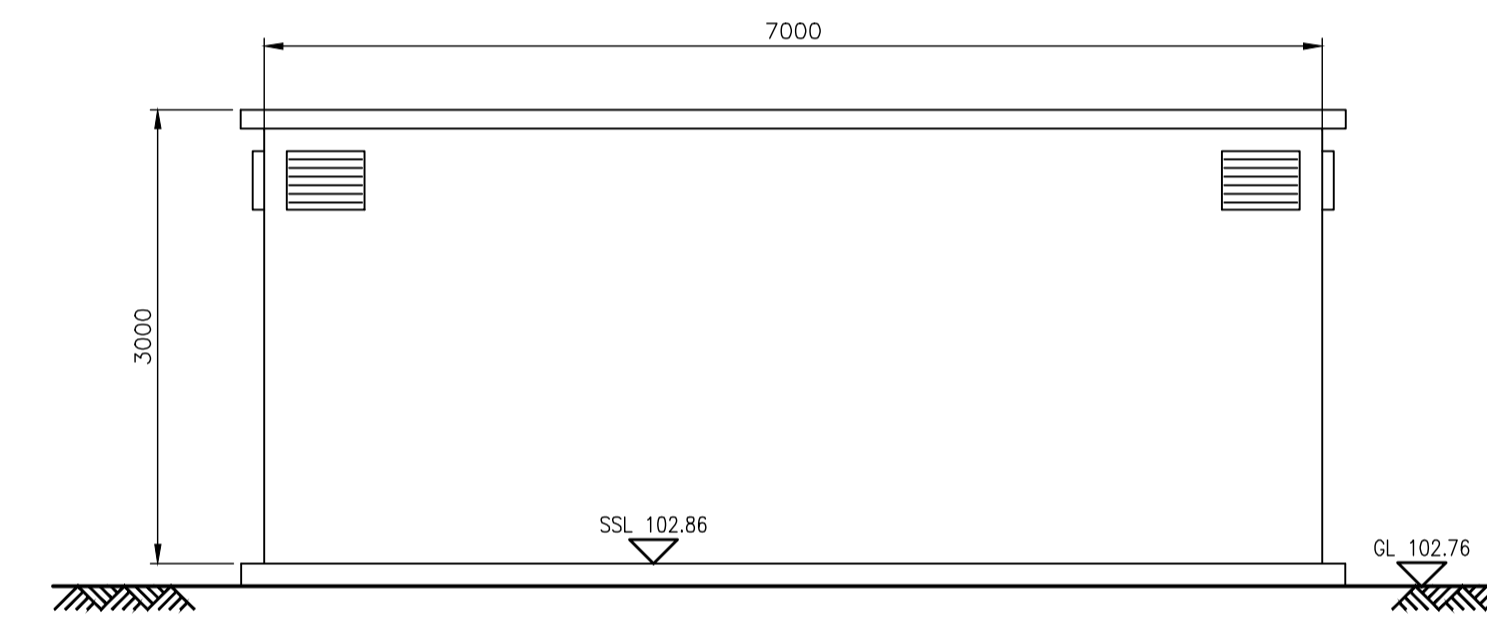
FLOOR PLAN VIEW



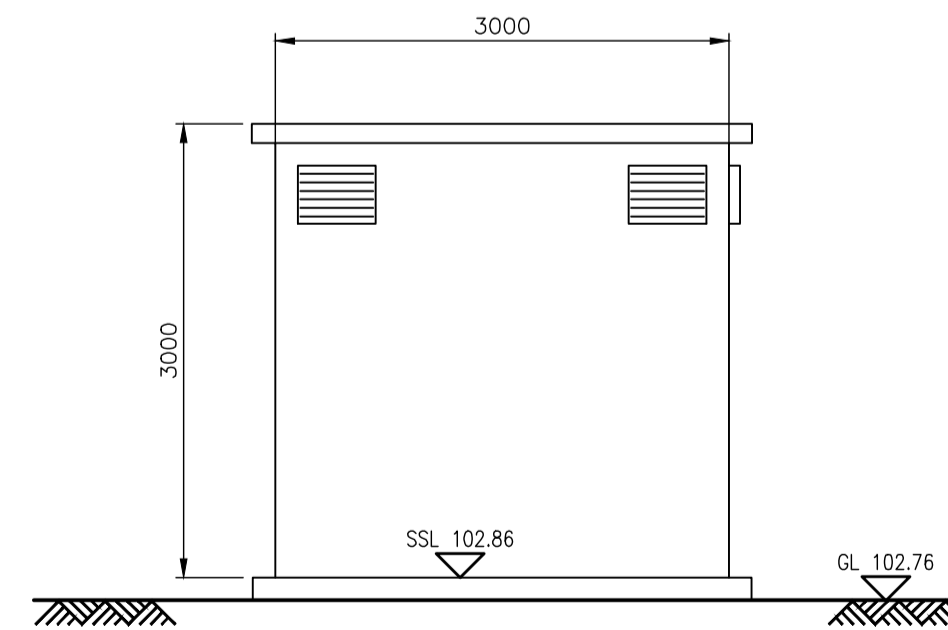
ROOF PLAN VIEW



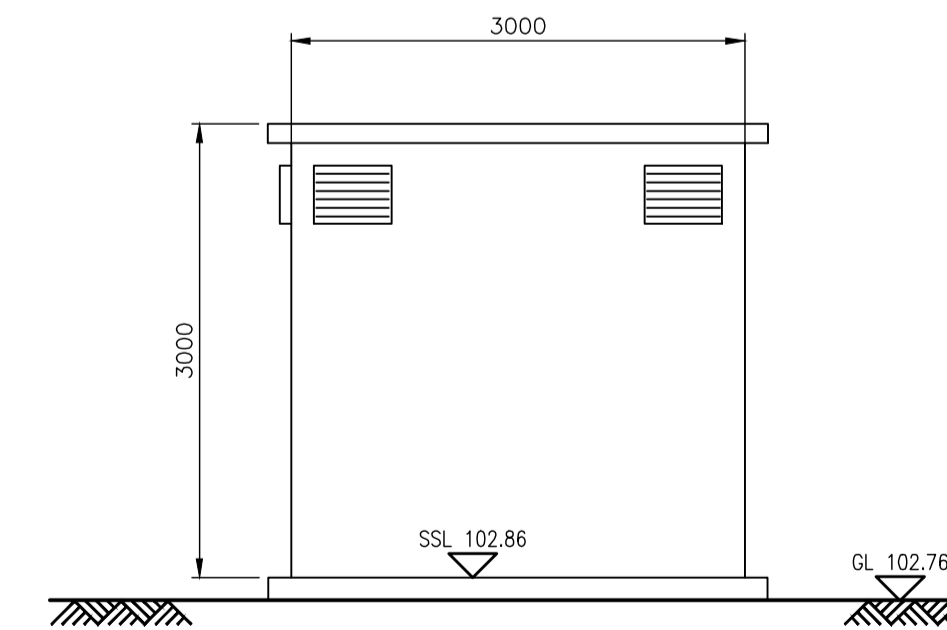
FRONT ELEVATION



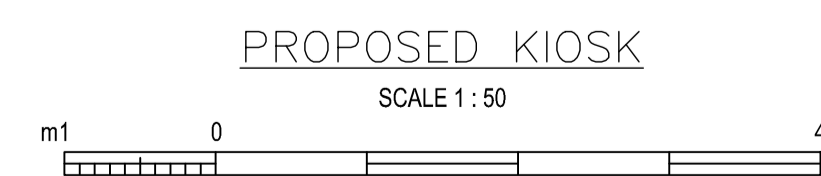
REAR ELEVATION



END ELEVATION A



END ELEVATION B



REV	DATE	ISSUED FOR PLANNING	STAT	BY	CHK	APP
1	10.05.17	ISSUED FOR PLANNING	P	--	--	--

This plan is provided by Anglian Water pursuant to its obligations under the Water Industry Act 1991 sections 108 or 109. It must be used in conjunction with any search results attached. The information on this plan is based on data currently recorded but the position must be regarded as approximate. Service pipes, private sewers and drains are generally not shown. Users of this map are strongly advised to commission their own survey of the area shown on the plan before carrying out any works. The actual position of all apparatus MUST be established by trial holes. No liability whatsoever, including liability for negligence, is accepted by Anglian Water for any error or inaccuracy or omission, including the failure to accurately record, record of all, the location of any water main, discharge pipe, sewer or drain or disposal main or any item of apparatus. This information is valid for the date printed. The plan is produced by Anglian Water Services Limited, from Ordnance Survey Crown Copyright, Licence 10002452. This map is to be used for the purposes of viewing the location of Anglian Water plant only. Any other use of the map data or further copies are not permitted. This notice is not intended to exclude or restrict liability for death or personal injury resulting from negligence.

**anglianwater**  
 @one  
 Thorpe Wood House, Thorpe Wood, Peterborough,  
 Cambridgeshire, PE3 6WF  
 Tel: 01733 414100 Fax: 01733 414111

PROJECT TITLE  
**LONG BUCKBY WRC**

DRAWING TITLE  
**PLANNING DRAWING  
 NEW WASHWATER KIOSK**

DES'D: SG	DATE: 10.05.17	DRAWN: KF	DATE: 10.05.17	CHK'D: ZW	DATE: 10.05.17	APP'D: AR	DATE: 10.05.17	
A1 SCALE: 1:50		REFERENCED DRAWINGS:						
DRAWING No. SEW-10570-LBUCST-SS-PLG-0003							REV. 1	STAT. P