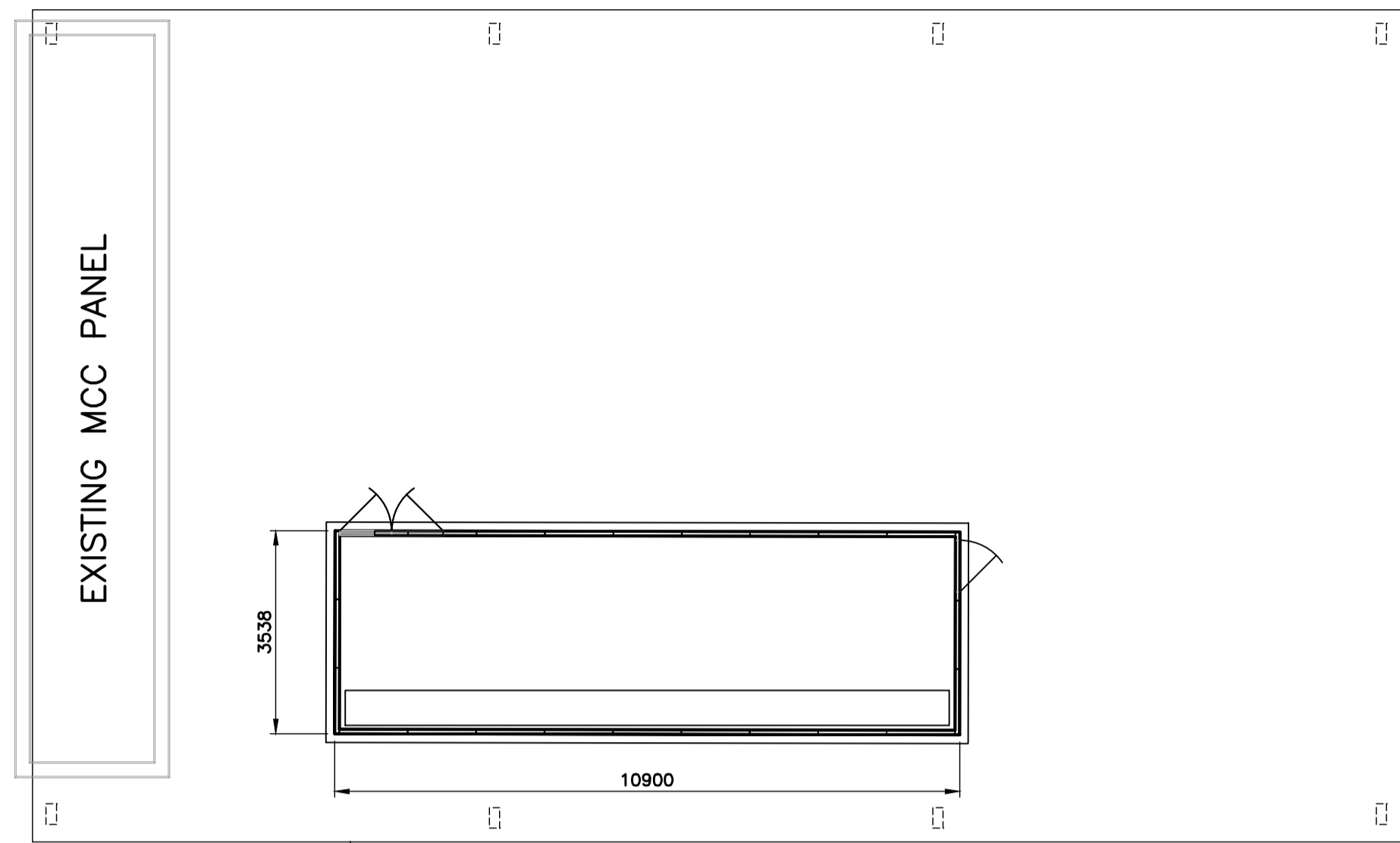


GENERAL NOTES

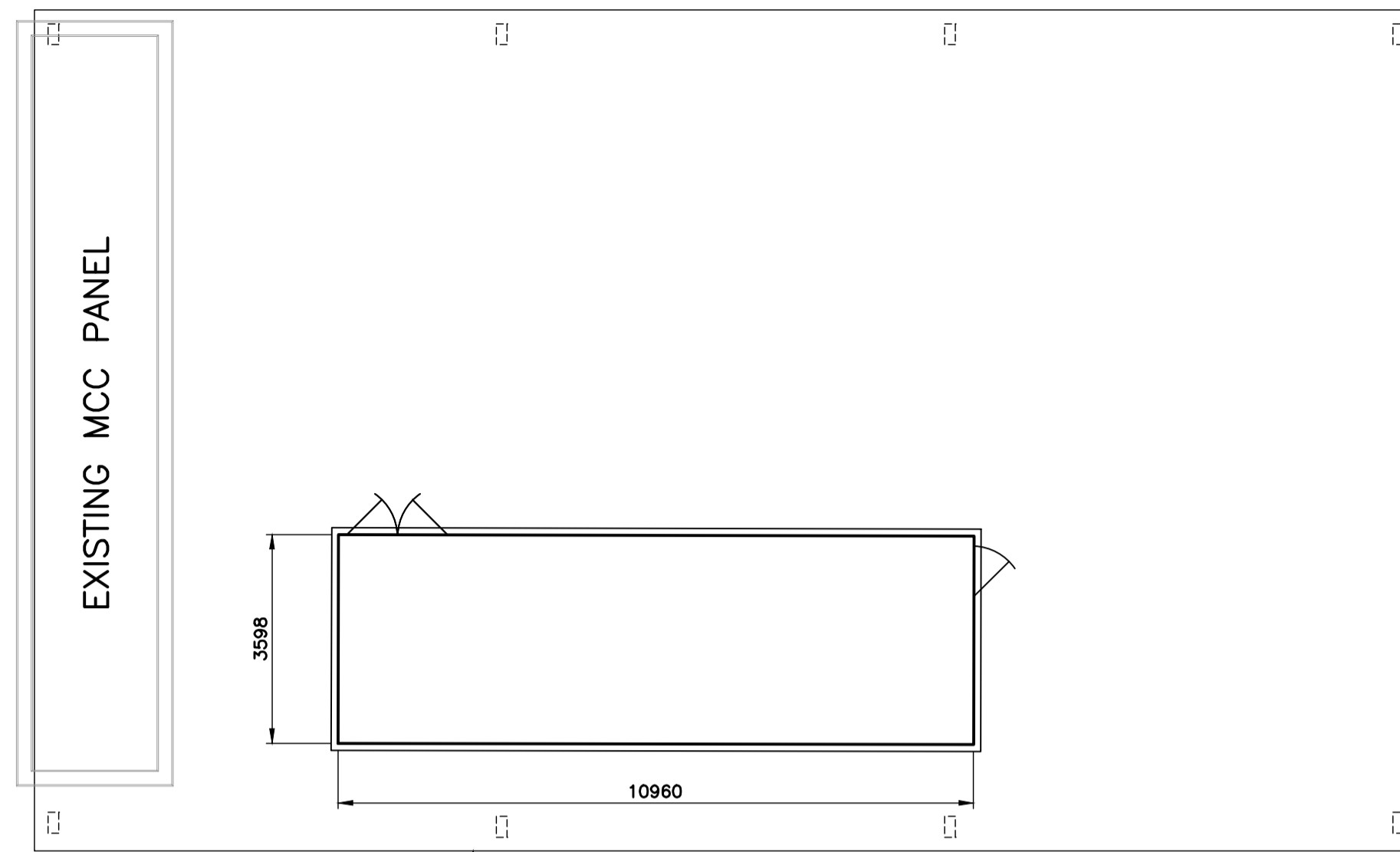
1. ALL DIMENSIONS IN MILLIMETRES UNLESS NOTED OTHERWISE.
2. ALL LEVELS IN METRES RELATIVE TO ORDNANCE DATUM NEWLYN.

REFERENCE DRAWINGS

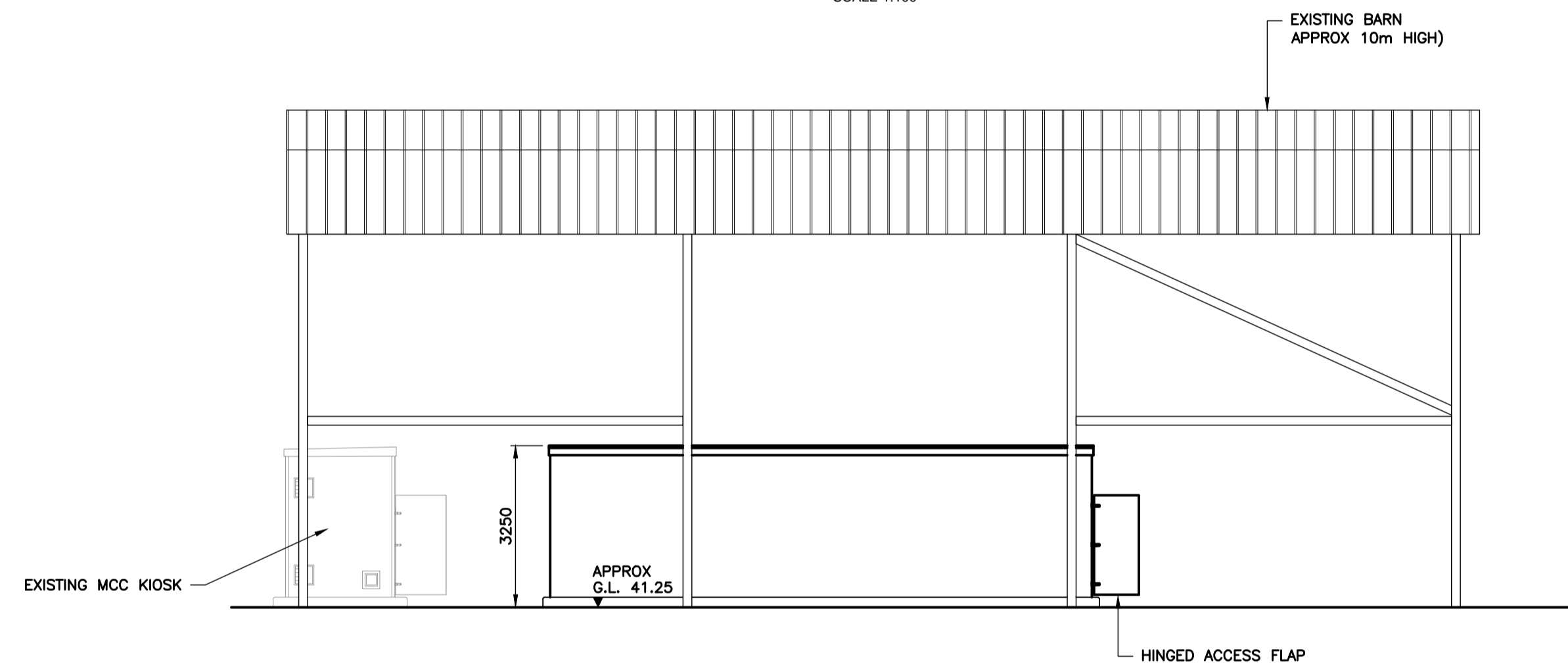
- SEW-10394-BROAST-SS-PLG-0005 - PLANNING DRAWING POLYMER KIOSK
- SEW-10394-BROAST-SS-PLG-0006 - PLANNING DRAWING SITE LOCATION



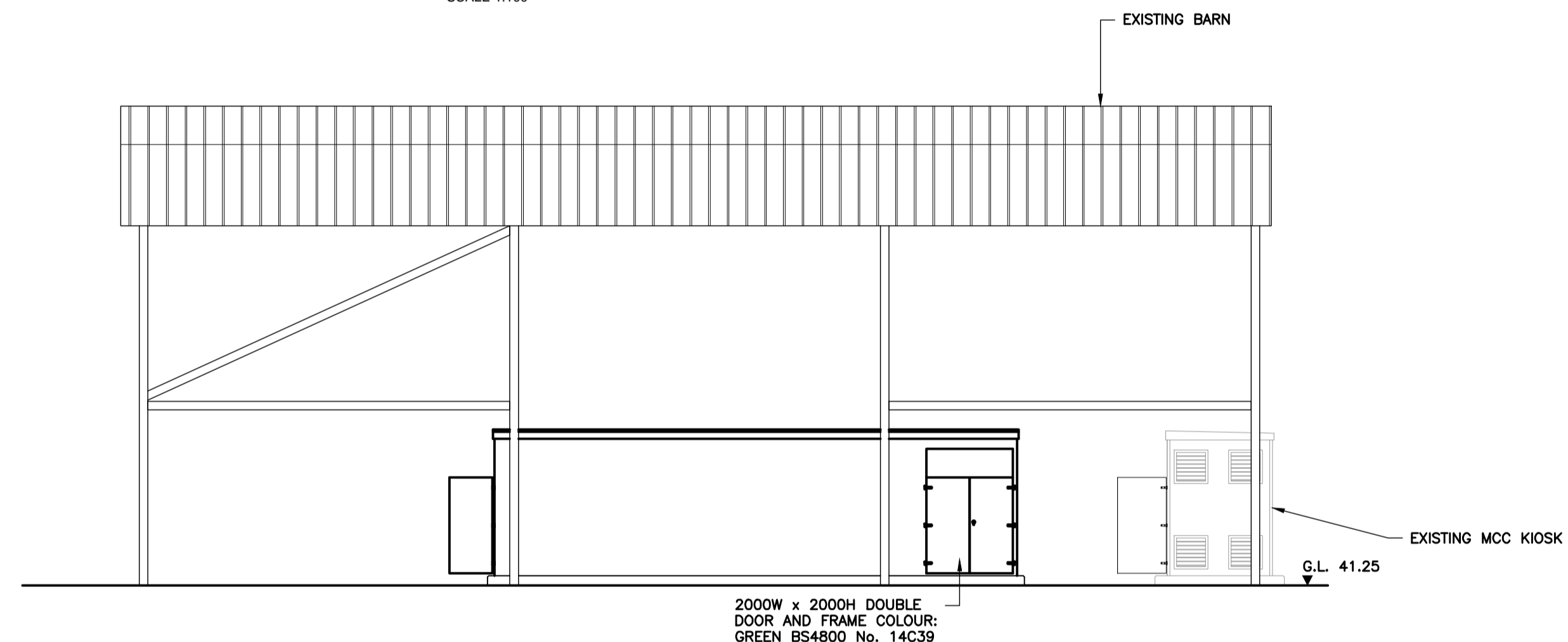
FLOOR PLAN
SCALE 1:100



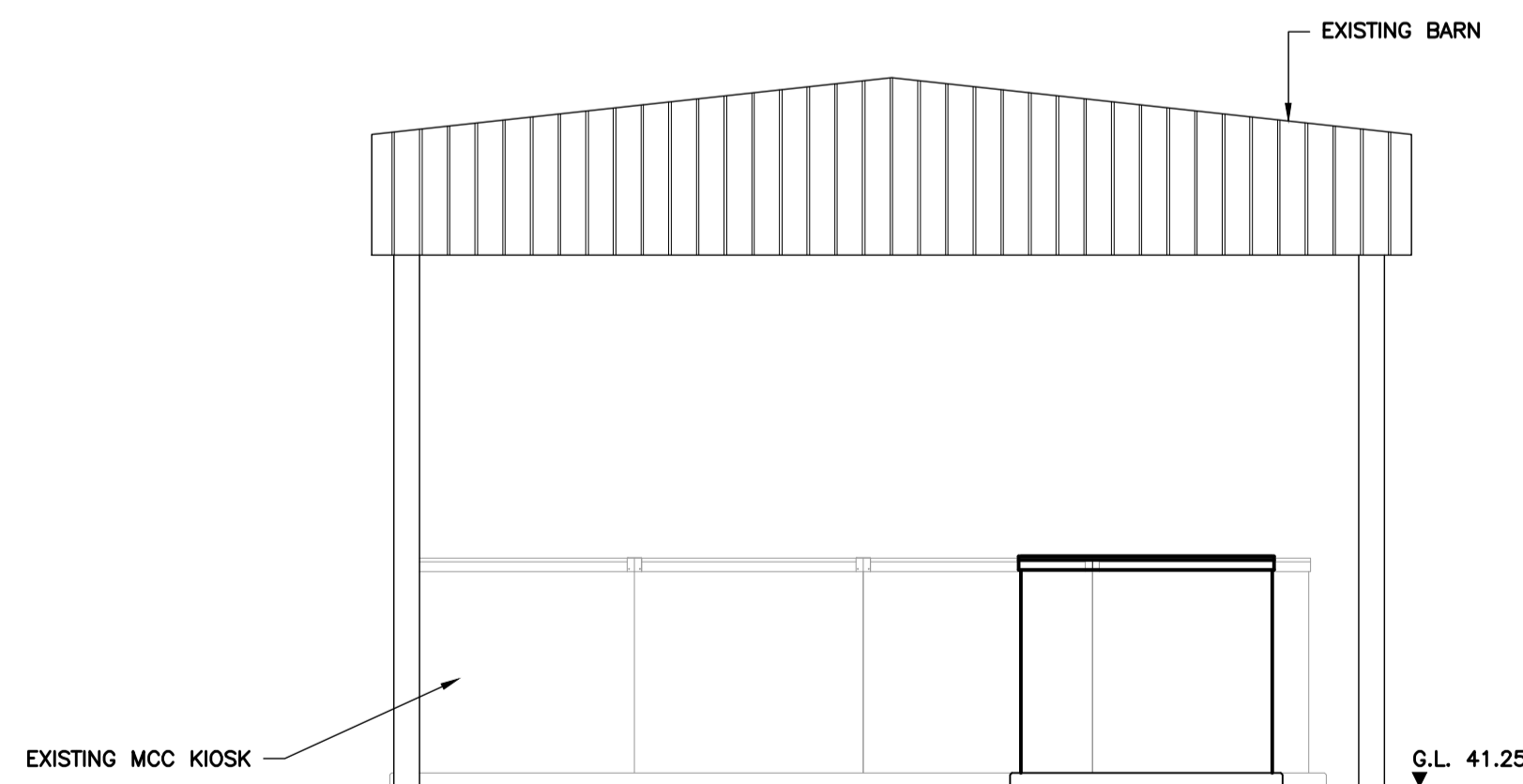
ROOF PLAN
SCALE 1:100



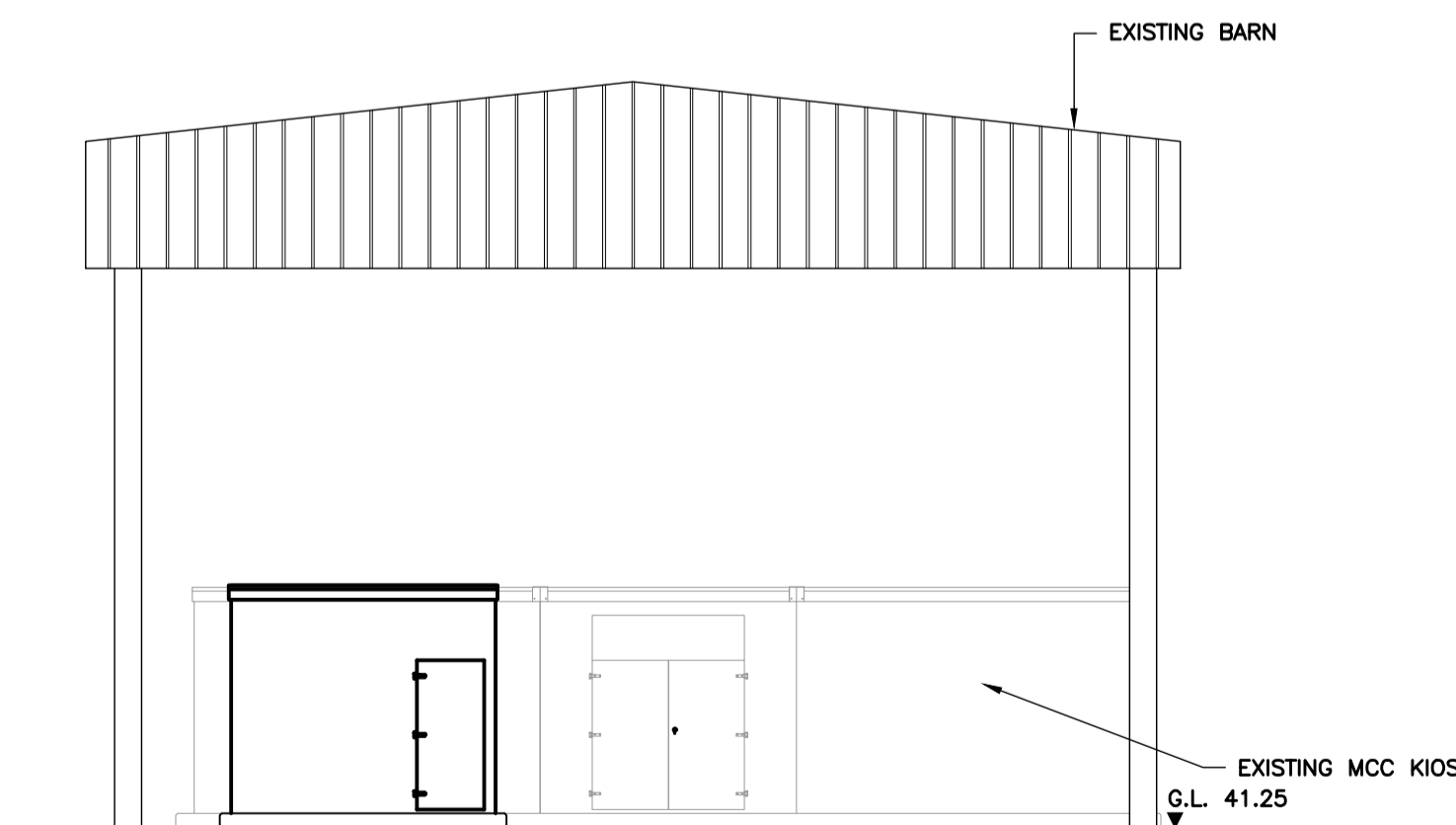
SOUTH ELEVATION
SCALE 1:100



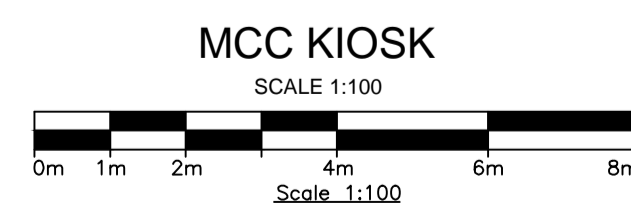
NORTH ELEVATION
SCALE 1:100



WEST ELEVATION
SCALE 1:100



EAST ELEVATION
SCALE 1:100



MCC KIOSK
SCALE 1:100

REV	DATE	DETAILS	STAT	BY	CHK	APP
1		ISSUED FOR PLANNING APPROVAL	P	RP		

This plan is provided by Anglian Water pursuant to its obligations under the Water Industry Act 1991 sections 100 or 105. It must be used in conjunction with any search results attached. The information on this plan is based on data currently recorded but the position must be regarded as approximate. Service pipes, private sewers and drains are generally not shown. Users of this map are strongly advised to commission their own survey of the area shown on the plan before carrying out any works. The actual position of all apparatus MUST be established by trial holes. No liability whatsoever, including liability for negligence, is accepted by Anglian Water for any error or inaccuracy or omission, including the failure to accurately record or record of it, the location of any water main, discharge pipe, sewer or drain or disposal main or any item of apparatus. This information is valid for the date printed. The plan is produced by Anglian Water Services Limited, from Ordnance Survey Crown Copyright, Licence 10002425. This map is to be used for the purposes of planning. The location of Anglian Water plant only. Any other use of the map data or further copies are not permitted. This notice is not intended to exclude or restrict liability for death or personal injury resulting from negligence.

anglianwater
@one

Thorpe Wood House, Thorpe Wood, Peterborough,
Cambridgeshire, PE3 0WT
Tel: 01733 414100. Fax: 01733 414111

PROJECT TITLE
BROADHOLME WRC

DRAWING TITLE
**PLANNING DRAWING
POLYMER KIOSK**

DES'D:	DATE:	DRAWN: RP	DATE: 30.08.17	CHK'D:	DATE:	APP'D:	DATE:	
A1 SCALE: AS SHOWN		REFERENCED DRAWINGS:						
DRAWING No. SEW-10394-BROAST-SS-PLG-0004							REV. 1	STAT. P

