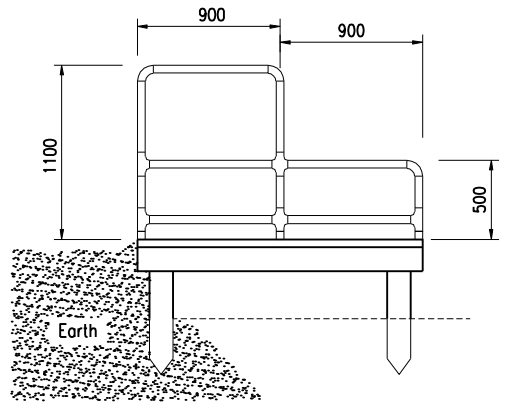
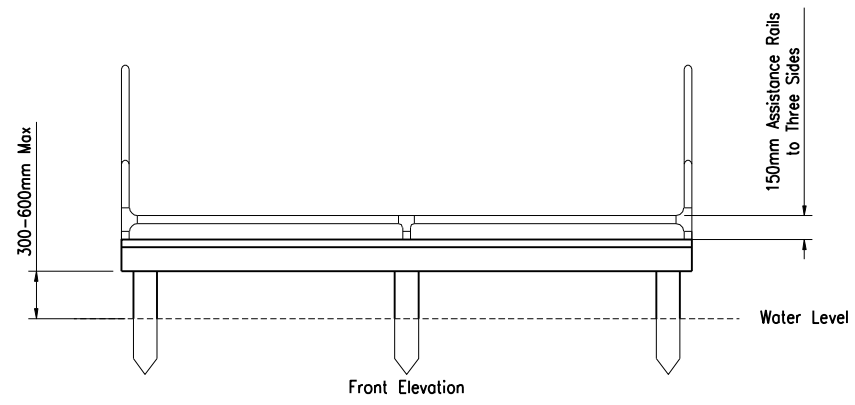


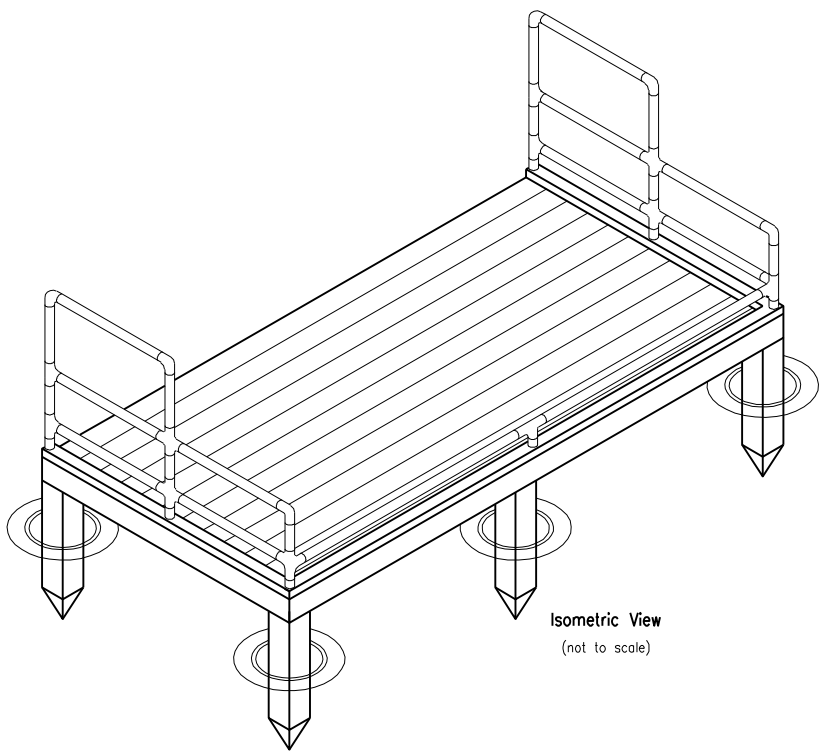
**© COPYRIGHT**  
 This document is the property of BDAA and is loaned only upon condition that it is not to be copied or reproduced, nor to be used for furnishing information to others or any other purpose detrimental to the interest of BDAA.



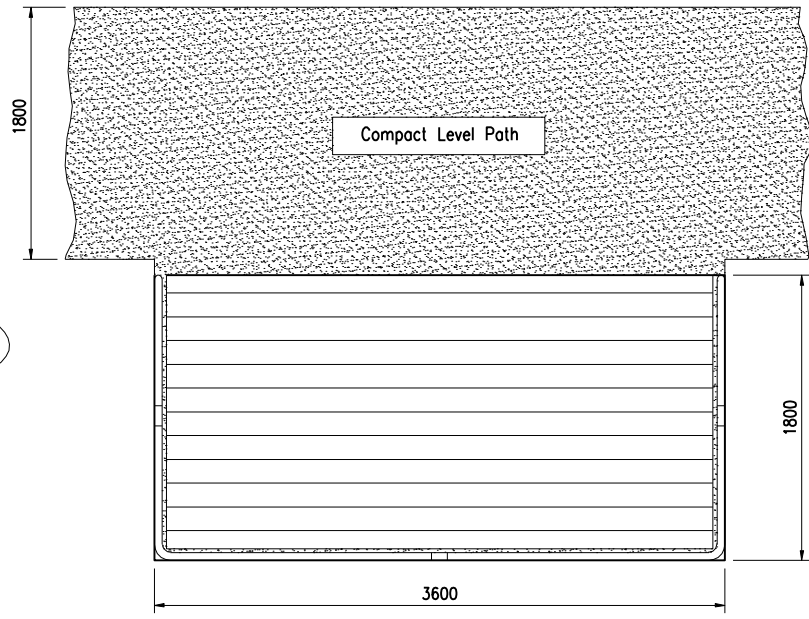
End Elevation




Front Elevation



Isometric View  
(not to scale)



Plan View

B	07.06.09	RAIL INCREASED TO 1100mm, NOTE CHANGED	MG
A	23.03.09	FIRST ISSUE	MG
REV	DATE	AMENDMENTS	INT
TITLE			
FISHING PLATFORM 3600mm x 1800mm TAMBER WITH STEEL RAIL (OVER WATER TYPE)			
CLIENT			
BRITISH DISABLED ANGLING ASSOCIATION			
 <b>bdaa</b> British Disabled Angling Association			
Registered Charity No. 1074729			
SCALES	N.T.S	DATE	23.03.09
DRAWN BY	MG	SHEET SIZE	A4
CHECKED BY	TM	COPYRIGHT	©
DRAWING No.	C1000-013	REV	B