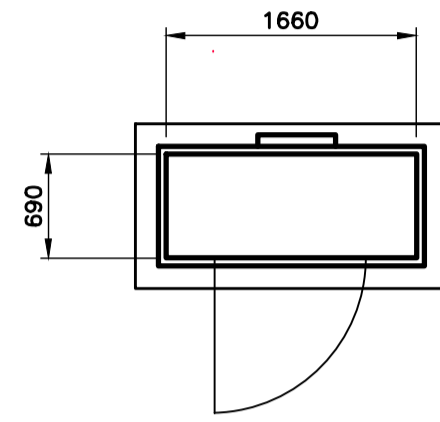


GENERAL NOTES

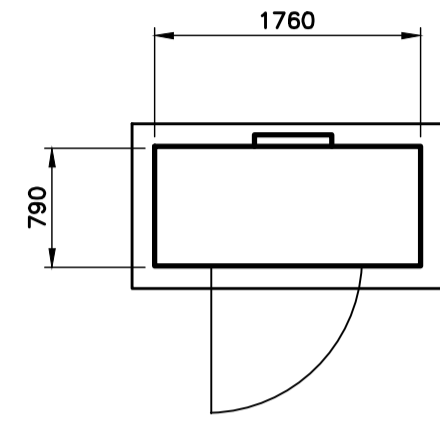
1. ALL DIMENSIONS IN MILLIMETRES UNLESS NOTED OTHERWISE.
2. ALL LEVELS IN METRES RELATIVE TO ORDNANCE DATUM NEWLYN.
3. GLASS REINFORCED PLASTIC KIOSK COLOUR BS 14C39 HOLLY GREEN.

REFERENCE DRAWING

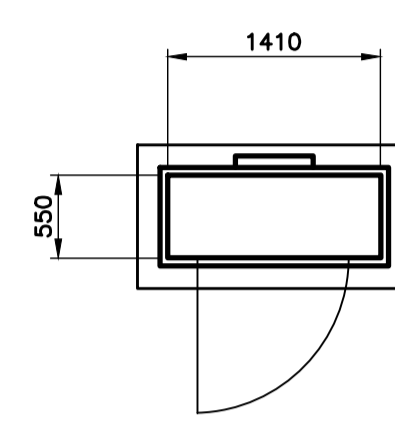
SEW-10601-SILVST-SS-PLG-0001	PLANNING DRAWING SITE LOCATION PLAN
SEW-10601-SILVST-SS-PLG-0002	PLANNING DRAWING SITE LAYOUT
SEW-10601-SILVST-SS-PLG-0003	PLANNING DRAWING NEW MCC KIOSK
SEW-10601-SILVST-SS-PLG-0004	PLANNING DRAWING NEW WASHWATER BOOST SET, AMMONIA MONITOR AND CHEMICAL DOSING KIOSKS



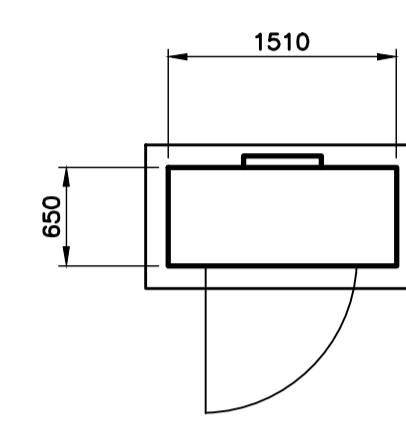
FLOOR PLAN VIEW



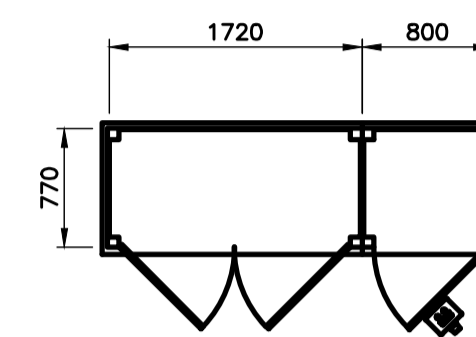
ROOF PLAN VIEW



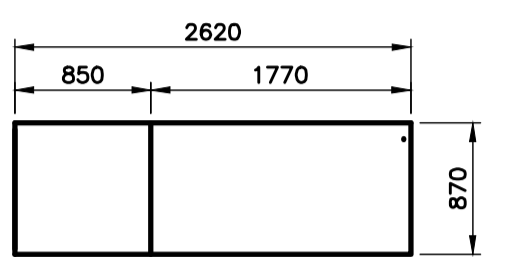
FLOOR PLAN VIEW



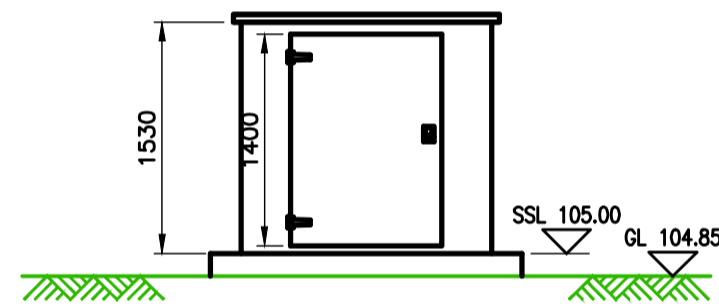
ROOF PLAN VIEW



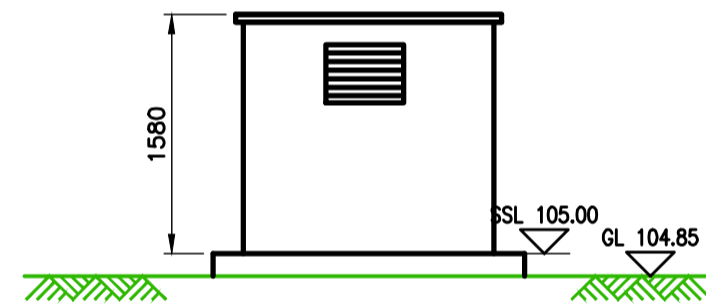
FLOOR PLAN VIEW



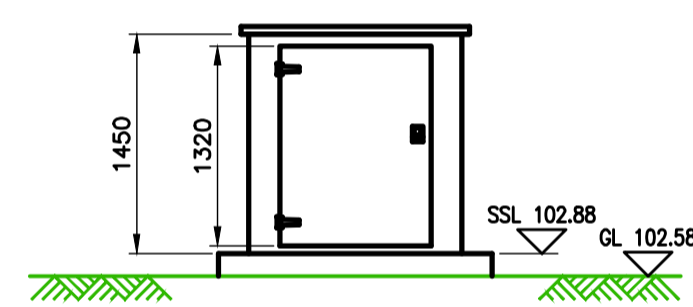
ROOF PLAN VIEW



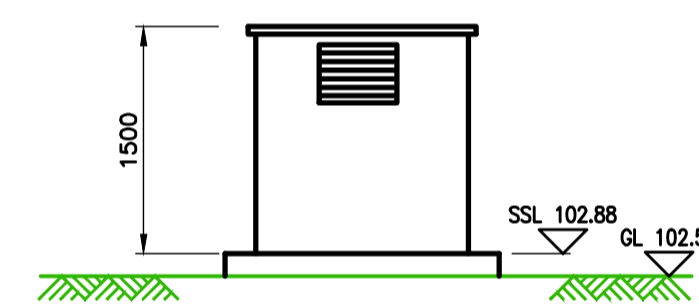
FRONT ELEVATION



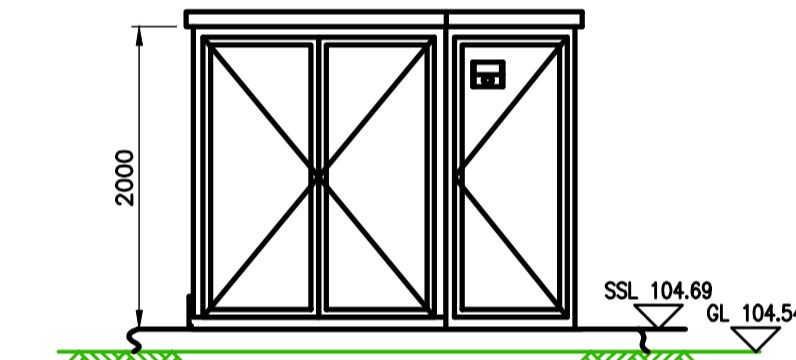
REAR ELEVATION



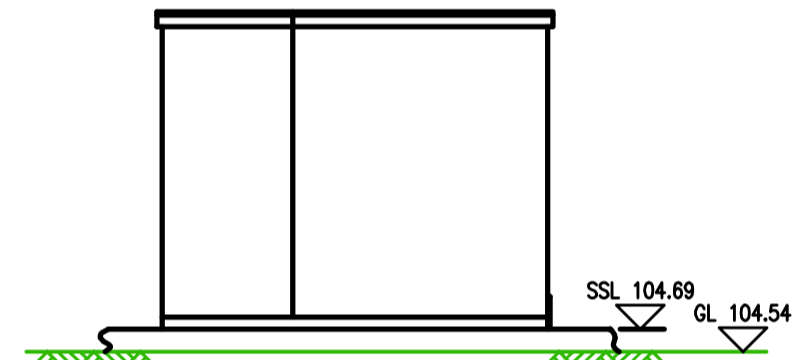
FRONT ELEVATION



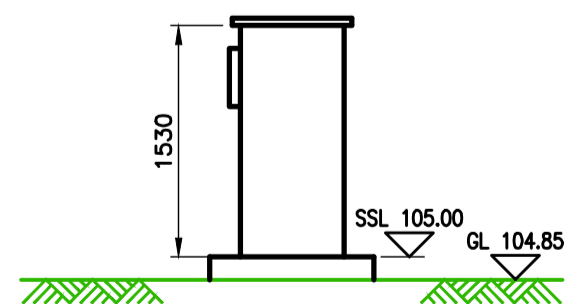
REAR ELEVATION



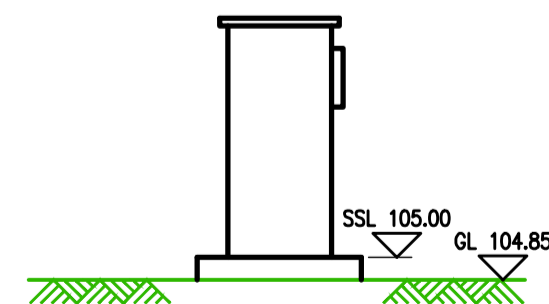
FRONT ELEVATION



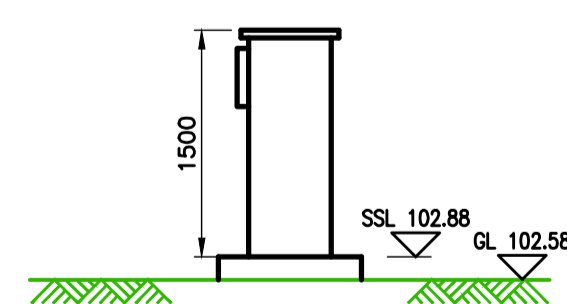
REAR ELEVATION



END ELEVATION

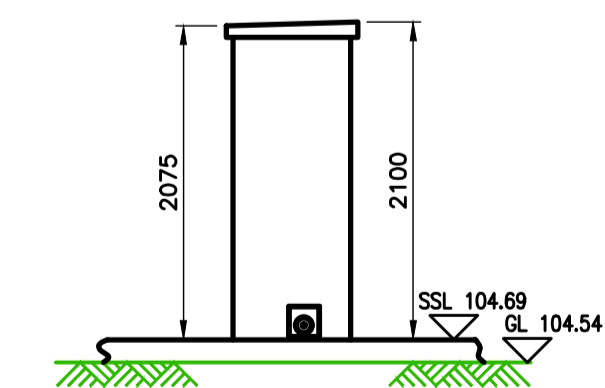
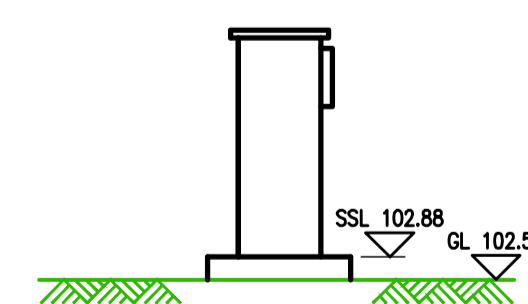


PROPOSED WASHWATER BOOSTER SET KIOSK



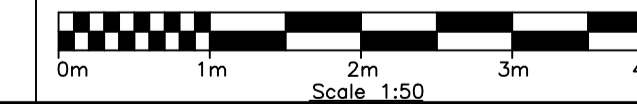
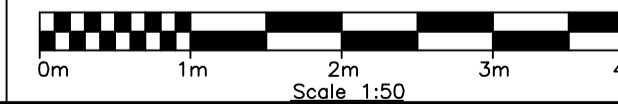
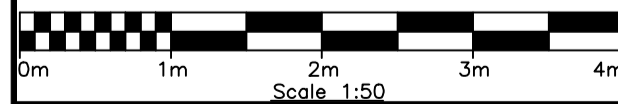
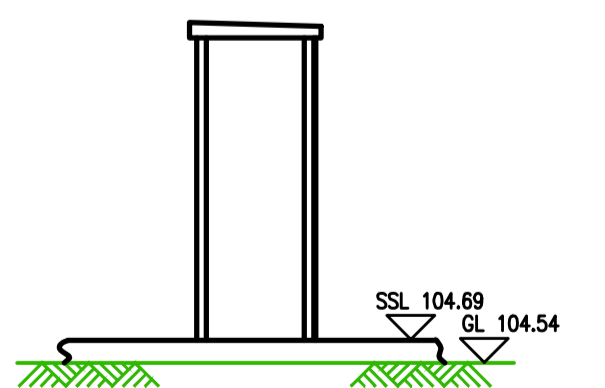
END ELEVATION

PROPOSED AMONIA MONITOR KIOSK



END ELEVATION

PROPOSED CHEMICAL DOSING KIOSK



1	20.09.17	ISSUED FOR PLANNING	P	KF	CB	AR
REV	DATE	DETAILS	STAT	BY	CHK	APP

This plan is provided by Anglian Water pursuant to its obligations under the Water Industry Act 1991 sections 100 or 102. It must be used in conjunction with any search results attached. The information on this plan is based on data currently recorded but the position must be regarded as approximate. Service pipes, private sewers and drains are generally not shown. Users of this map are strongly advised to commission their own survey of the area shown on the plan before carrying out any works. The actual position of all apparatus MUST be established by trial holes. No liability whatsoever, including liability for negligence, is accepted by Anglian Water for any error or inaccuracy or omission, including the failure to accurately record, or record at all, the location of any water main, discharge pipe, sewer or drain or disposal main or any item of apparatus. This map is to be used for the purposes of showing the location of Anglian Water plant only. Any other use of the map data or further copies are not permitted. This notice is not intended to exclude or restrict liability for death or personal injury resulting from negligence.

anglianwater
@one

Thorpe Wood House, Thorpe Wood, Peterborough,
Cambridgeshire, PE3 6WF
Tel: 01733 414100 Fax: 01733 414111

PROJECT TITLE
SILVERSTONE WRC-GROWTH

DRAWING TITLE
**PLANNING DRAWING
NEW WASHWATER BOOST SET,
AMMONIA MONITOR AND
CHEMICAL DOSING KIOSKS**

DES'D: SG	DATE: 24.07.17	DRAWN: KF	DATE: 24.07.17	CHK'D: CB	DATE: 20.09.17	APP'D: AR	DATE: 20.09.17	
A1 SCALE: 1:50		REFERENCED DRAWINGS:						
DRAWING No. SEW-10601-SILVST-SS-PLG-0004							REV. 1	STAT. P